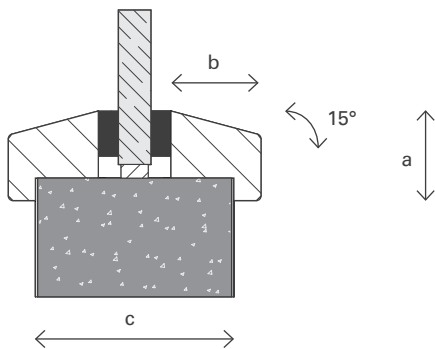




DorSuite®

Bolection

Moulded bead fitted around vision panel cut out.



	a	b (varies)	c
NFR	19.75mm	To suit glass thickness	44mm
FD30	19.75mm	To suit glass thickness	44mm
FD60	32mm	To suit glass thickness	54mm

Maximum allowable glass area

FD30
1.75m ²

FD60
0.82m ²

DorSuite
 17 Law Place
 Nerston Industrial Estate
 East Kilbride
 Glasgow G74 4QL

+44 (0)1355 229966
 info@dorsuite.com
 www.dorsuite.com

© 2019 DorSuite.