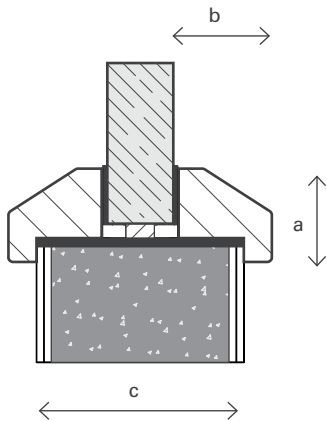




DorSuite®

# Bolection 120

Moulded bead fitted around vision panel cut out.



	a	b (varies)	c
FD120	32mm	To suit glass thickness	64mm

Maximum allowable glass area

FD120

0.3m<sup>2</sup>

DorSuite  
 17 Law Place  
 Nerston Industrial Estate  
 East Kilbride  
 Glasgow G74 4QL

+44 (0)1355 229966  
 info@dorsuite.com  
 www.dorsuite.com

© 2020 DorSuite.